

**DEVELOPING AND EVALUATION
OF A SHELLING/CRACKING MACHINE SOME
AGRICULTURAL PRODUCTS
- (SHELLING OF JATROPHA FRUITS)**

A. M. Mousa*

ABSTRACT

*This study aims to develop a shelling/cracking machine for dry agricultural products and evaluate performance of developed machine for shelling of *Jatropha curcas* L. fruits (JCFs) cultivated in Egypt. All shelling experiments of JCFs were carried out at average moisture content of 11.45, 8.48 and 13.89 % (d.b.) for whole fruits, seeds and shells, resp. The results showed that the suggested design of the prototype achieved high efficiency in shelling of JCFs. Under the tested speed range [200 (2.094) to 600 rpm (6.283 m/s)] and the tested clearance range [12 to 16 mm], the shelling efficiency of JCFs gradually increased with increasing the tested speeds and decreasing the clearances. The speed of 600 rpm is the optimal for the shelling efficiency at clearance of 12 mm. Under the tested sample mass range [250 to 1500 g], the results showed that the mass sample of 1000 g is the optimal for shelling efficiency and productivity of machine, whereas; the mean values of broken seeds percentage (%-age) were not significant under the tested sample mass range. Also; the results revealed that the highest value of machine productivity was 226.08 kg/h. Meanwhile; the average values of shelling efficiency, %-age of broken seeds, unshelled fruits and intact seeds were 95.90, 0.43, 4.10 and 57.93 %, resp. Further; the mean values of power consumption and specific energy requirement were 694.95 W and 3.07 W.h/kg, resp. In addition to the level of emitted noise from developed machine was 97.2 dB and should be reduced to the permissible limits (90 dB) at exposure period of 8 h/day.*

Keywords: *Biodiesel sources, *Jatropha* fruits, shelling/cracking machine, shelling efficiency.*

*Lecturer; Agric. Mach. & Power Eng. Dept.; Fac. of Agric. Eng.; Al-Azhar Univ.; Cairo; Egypt. E-mail: ahmed_mousa123@azhar.edu.eg

1. INTRODUCTION

Jatropha is one of the renewable energy plants. Its high potential for production of biodiesel fuel from its seeds; reduces dependence on the fossil diesel and provides the country with energy security, in addition to decreasing the environmental pollution from combustion of fossil fuel (*Werby and Mousa, 2016*).

Jatropha "J" is known with different names such as; physic nut, pinonillo, black vomit nut, purging nut (Barbados) and big purge nut (*Salawu et al., 2013*). The genus of J. is a perennial plant that belongs to the tribe Joannesieae in the Euphorbiaceae family and contains approximately 170 known species (*Kumar and Sharma, 2008*). Jatropha varieties which have been identified include J curcas, J. integerrima and J. gossypifolia; among others. J. curcas has been given the needed attention among the other varieties for its rich source of oil as biofuel (biodiesel) (*Krishnan and Paramathma, 2009*).

Cramer (2010) mentioned that the dry seeds are containing the oil with percentage ranging from 32 to 40 % by weight. The moisture content of seeds, more than 8%, should be considered too humid and needs more drying. The selection of Jatropha seeds for planting must be at moisture content of around 7%. In case of oil extracting from seeds the moisture content of seeds must be around 6 % (ideally) before pressing. Further; the water content of biofuel norms (straight vegetable oil) should be below 0.08%; because high moisture content in oil might also increase the formation of free fatty acids.

The mean values of the percentages (%-ages) by weight of Jatropha curcas fruits (JCFs) parts to whole fruit were 66.24, 33.76, 40.85 and 25.39% for seeds, shells, kernels and husks, resp.; while the mean values of the %-ages by weight of seed parts to whole seed were 60.84 and 39.16% for kernels and husks, resp., according to (*Werby and Mousa, 2016* and *Mousa et al., 2016*). *Kheiralla et al. (2015)* mentioned that the shelling process of JCFs is very important and essential before the oil extraction from JCSs. *Pradhan et al. (2010)* designed, constructed and tested a hand-operated decorticator of Jatropha fruits for extracting the seeds. Decortication of fruit may be achieved using one of several

methods: impact, rubbing and squeezing or a combination of the three. In these three methods, the rubbing action would produce seeds with minimal damage. To achieve minimal seeds damage, it is essential to apply least impact with rubbing action. The decorticator can be operated at moisture content of 7.97% (d.b.) with concave clearance of 21 mm. That gives maximum whole seeds of 67.94 %, broken seeds of 2.11 % and machine efficiency of 90.96%. *Lim et al. (2014)* studied a shelling process on *Jatropha* fruits for extracting the kernel with two stages of cracking and separation. Both stages used double-level cracking rollers and a blower with ducting as a separation unit. The optimal clearance and air speed for the first stage were 10.5 mm and 10.0 ± 0.4 m/s, resp., whereas the optimal settings for the second stage were 6.0 mm and 7.5 ± 0.4 m/s, resp., under these optimal settings; the designed process can achieve 100% removal of shells and 45.46% removal of husks while maintaining a low kernel loss of only 2.40% throughout the stages of the mechanism. *Kheiralla et al. (2016)* developed and evaluated small scale *Jatropha* fruits husking machine, consists of frame, feed hopper, fruit husking chamber, concave sieve, rotating blades, discharge outlet and vibrating separator equipped with a sieve for the separation of seeds from the shelling mixture of *Jatropha* fruits. The shelling process was including compression, shearing and impact principles. The results indicated that the mean values of the husking efficiency, cleaning efficiency, husking capacity, husks percentage and whole seeds percentage were; 100 %, 91.78 %, 44.06 kg/h, 34.24 % and 61.99 %, resp. at husking and shaker speed of 300 and 60 rpm, resp. *Mousa (2015)* mentioned that the high consumption of the non-renewable energy sources all over the world, predicted shortage and continuous increasing in its price; further environmental worries. These reasons encouraged to use the sources of renewable energy to replace the fossil fuel such as biofuel. The biofuel includes the following types: solid, liquid and gas, such as: wood pellets, biodiesel or bioethanol and biogas, resp. Biodiesel can be produced from multiple sources such as *Jatropha*. *Jatropha* is a small tree that produces fruits on shape of capsules. Fruits contain seeds and each seed contains kernel which has high ratio from non-edible oil as raw material for producing biodiesel via chemical or enzymatic methods

and it can be used directly in internal combustion engines after mixing with petroleum diesel. For oil extraction with high efficiency and quality from *Jatropha*, it is necessary shelling of *Jatropha* fruits for seeds then cracking (husking) seeds for kernels which contain the oil. So; this study aims to develop a shelling/cracking machine for dry agricultural products using locally available materials and performance evaluation of the developed machine for shelling of *Jatropha curcas* L. fruits cultivated in Egypt.

2. MATERIALS AND METHODS

The shelling/cracking machine was constructed in the Workshop of the Fac. of Agric. Eng. during the period from 1st of May 2016 to 30th of Nov. 2016. The shelling experiments of *Jatropha curcas* fruits "JCFs" were carried out in the Laboratory of Agric. Mech. and Power Eng. Dept., Fac. of Agric. Eng., Al-Azhar Univ., Cairo, Egypt; through the period from 1st of Jan. 2017 to 30th of May 2017.

2.1. Materials

2.1.1. Shelling/Cracking machine

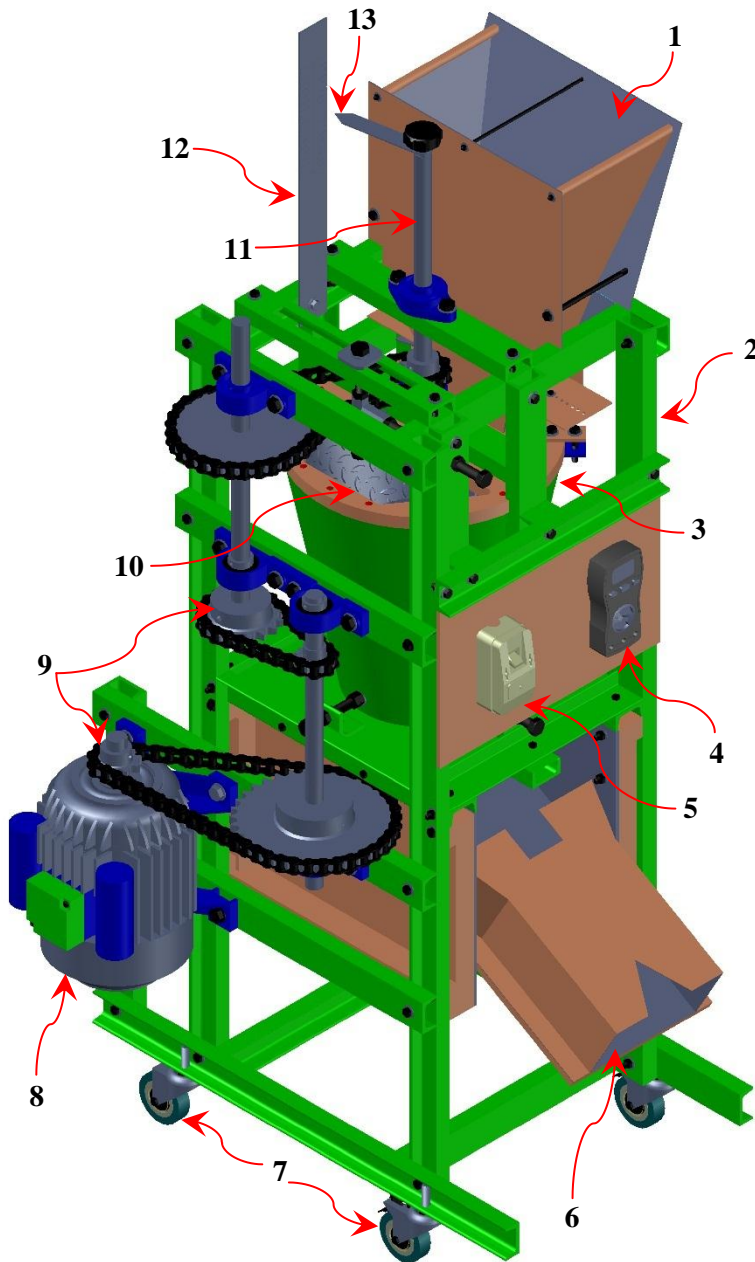
The main components of the shelling/cracking machine included: frame, feed hopper, shelling/cracking chamber, discharge outlet and source of power, as shown in Fig. 1.

Frame of the machine

The main frame of the machine was constructed from iron channel sections. Its main dimensions were 50 mm depth, 25 mm flange width and 5 mm web thickness, the frame was jointed using helical screws to ease any modification and was fixed on four wheels to facilitate transfer of machine.

Feed hopper

The experimental hopper was constructed from galvanized iron sheet and composed of four sides. These sides were joined with helical screws. The two parallel sides of motor axis were fixed, while the other two sides are crossed and connected with joint from the top for ease articulation motion and control in feed slot. In addition; a gate prevents the fruits before the shelling/cracking chamber. The depth of hopper from top to the gate was 36 cm and the top area of hopper was 32.0 cm × 21.5 cm.



- 1) Feed hopper, 2) Frame, 3) Shelling chamber, 4) AVO-meter, 5) On/off switch, 6) Discharge outlet, 7) Wheels, 8) Electric motor, 9) Sprocket wheels and chains, 10) Transparent cover, 11) Rotational shaft, 12) scale of clearance and 13) Pointer.

Fig. 1: 3D drawing of developed shelling/cracking machine.

Shelling/Cracking chamber

The shelling/cracking process in the developed machine depends on friction or rubbing action. The shelling/cracking chamber was composed of: fixed part (external) and rotary part (internal), as shown Fig. 2. The fixed part is conical shaped and made from stainless steel (SS"304") sheet with protrusions (1.6 mm height) to avoid slipping the fruits or seeds during shelling/cracking process. The conical shape was formed using plate rolling machine then was welded with the following dimensions: 35 cm upper internal diameter, 20 cm lower internal diameter and 37.5 cm depth. The conical part was put into a hollow square plate, in addition to four screws and four parts from steel angle sections to adjust the level of the conical part. The rotary part consists of a conical block in the top and cylindrical block in the bottom. These blocks are made from low carbon steel (mild steel) and turned by lathe machine. The lower block was covered with the same material of fixed conical part. The thickness of sheet without protrusions is 5 mm. Also; the shelling surface was formed using plate rolling machine, then was welded to take

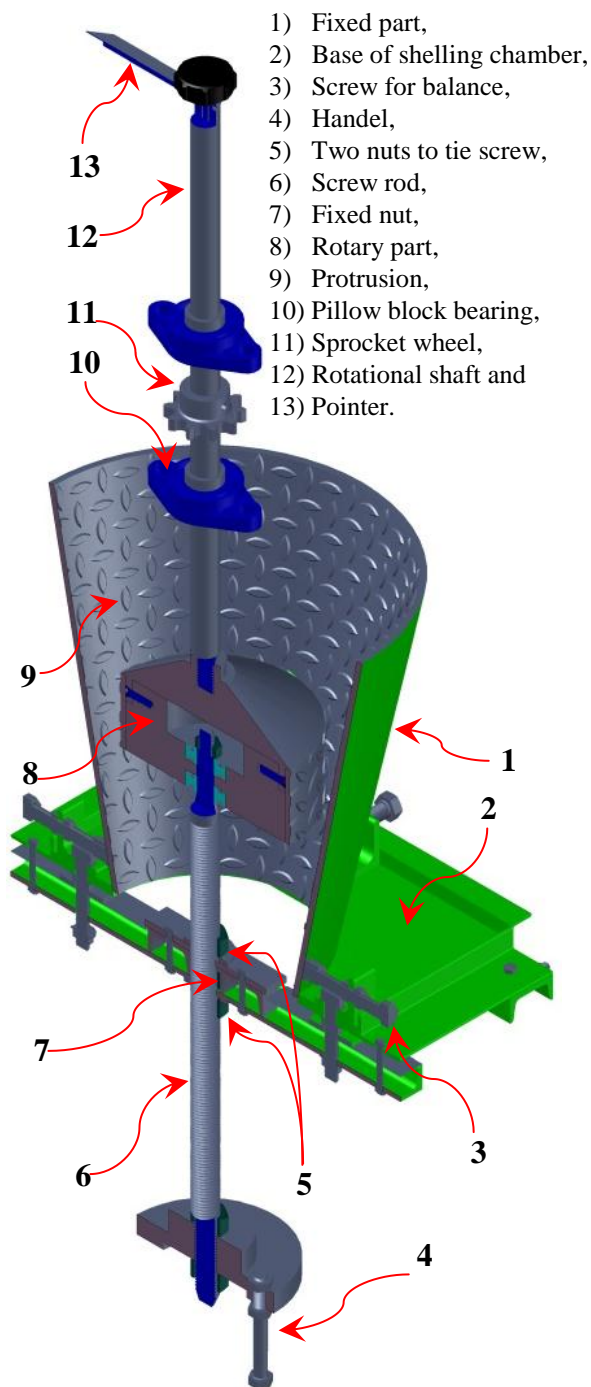


Fig. 2: 3D drawing of longitudinal section of shelling/cracking chamber.

cylindrical shape with external diameter of 20 cm. The dimensions of fixed conical and rotary parts (friction surfaces) were chosen for the following reasons: Each height of 5 mm of the rotary part produces increases for the final clearance of 1 mm, to give clearance between two friction surfaces ranging from 0 to 75 mm and to possibly test of dry agricultural products which need the shelling/cracking. The SS material was used to form the two friction surfaces for the following reasons: High toughness, acceptable forming and welding, high resistance to corrosion and rusting; in addition to, the SS material is safe for agricultural products.

A screw rod with length of 57.66 cm was attached with the rotary part from bottom using two thrust ball bearings and was tied using nut into the rotary part. A handle was fitted in the bottom of the screw rod to adjust the required clearance. The screw rod is passed through a fixed nut in steel channel section under the shelling chamber. In addition, two moving nuts were put in the top and bottom of the fixed nut to lock the screw rod after adjusting the required clearance. A smooth rod with diameter of 25 mm and length of 58.9 cm was installed in the rotary part from the top through two bearings (FL 205). A pointer was installed above the smooth rod to indicate the value of clearance on a vertical scale, this scale was installed inside the frame at the top.

Discharge outlet

The discharge outlet was installed under the shelling chamber and composed of three parts: two parts were installed vertical into the frame on the two parallel sides of the motor, whose dimensions were 45.5 cm × 30.7 cm for both of them; whereas the other part has an inclination and was put to receive the shelled/cracked material, the dimensions of the inclined part were 61 cm × 25.6 cm and was installed with two hinges for ease motion and control in the angle of inclination. The discharge outlet was constructed from galvanized iron sheet with thickness of 0.5 mm.

Source of power

An electric motor "AC" was used to operate the shelling/cracking machine with power of 1.5 kW and speed of 1400 rpm. The power was transmitted to the rotary shaft using sprocket wheels and chains on three stages to reduce the speed of motor to the required speed.

2.1.2. Measuring instruments

1) An electric oven was used to determine the moisture content of fruits, seeds and shells. 2) A digital electric balance with accuracy of 0.01 g was used to weigh the mass of samples before and after shelling. 3) A digital stopwatch with accuracy of 0.01 s to measure the time of shelling. 4) A digital Vernier-caliper with accuracy of 0.01 mm was used to measure the clearance between two friction surfaces and recorded on the clearance scale. 5) A digital tachometer was used to measure the rotational speed “rpm”. The specs of tachometer are as follows: Non-contact but; with laser photo, range of the measurement is 2.5 to 99999 rpm and its accuracies are 0.1 rpm through the speed 2.5 to 999.9 and 1 rpm over 1000 rpm. 6) A digital AVO-meter was used to measure the consumed electrical current (Amperes "A") during the shelling process. The specs of the device are as follows: accuracy of device is 0.001, range of the measurement AC/DC voltage up to 600V and AC/DC current up to 10 A. 7) A digital Sollatek voltage Stabiliser from type of SVS45-22 was used to regulate and stabilize AC power supply to the motor of machine. 8) A digital sound level meter was used to measure the level of emitted noise "dB" from machine. The specs of the device are as follows: model No. 33-2055 and range of measurement from 50-126 dB. The measuring was carried out in range about of 1 m horizontal from machine and 1.5 m vertical from floor (cement concrete) of the Laboratory. The area of Laboratory is 8.20 m × 7.10 m and its height of 3.80 m.

2.1.3. Sample of Jatropha fruits

The *Jatropha curcas* fruits "JCFs" is one of selected agricultural products to evaluate performance of the developed machine for shelling process. The JCFs were obtained from the Arboretum of the Ministry of Agriculture and Land Reclamation at Dokki; Giza Governorate; Egypt. The dry JCFs were cleaned from any foreign matter, shells and seeds. The moisture content of fruits was determined before conducting of the shelling experiments.

2.2. Methods

2.2.1. The experimental procedure

The developed machine was evaluated using five clearances (C) were; 12, 13, 14, 15 and 16 mm. For each clearance, five speeds were tested; 200 (2.094), 300 (3.142), 400 (4.189), 500 (5.236) and 600 rpm (6.283 m/s). These variables were tested using 250 g of JCFs with batch system.

Then; the optimal clearance and speed were constant at study the variable of sample mass. This variable was studied using six masses with batch system, these masses were; 250, 500, 750, 1000, 1250 and 1500 g. The experiments were carried out according the following steps: after adjustment of the required clearance and speed; the known mass of JCFs was poured into the hopper above the gate. Then the machine was switched on and stayed for about one minute. Then the gate of hopper was removed quietly to allow the fruits go to the shelling chamber under the gravity. At the end; the shelling product were carefully collected in collector, then; classified into four categories by manual separation; then weighed. These categories were as follow: unshelled fruits (unshelled whole fruits and partially shelled), intact seeds, broken seeds and shells with dust. At study of the sample mass variable; the feed hopper was removed and replaced with other hopper made from cardboard with lower slot equal about half the upper area of the shelling chamber to determine the maximum feeding rate, the sample mass of JCFs was poured into the shelling chamber through the cardboard hopper and the shelling time was measured at the moment when it reaches the shelled material to half input sample of JCFs by using the balance under the collector. This value was multiplied by 2 to give the total time required for shelling the same input mass in case of continuous feeding. In addition; the consumed current and level of noise released from machine were measured. All experiments were replicated three times.

2.2.2. Performance evaluation

- Moisture content:

The moisture content (M_C ; “%, d.b.”) of fruits, seeds and shells were determined by drying method in a hot air oven at 105° C for 24 hours. This test was repeated six times. The moisture content was determined by using the following equation:

$$M_C = \frac{m_b - m_a}{m_a} \times 100 \dots \dots \dots (1)$$

Where; m_b : is the mass of sample before drying (g) and

m_a : mass of sample after drying (g).

- Performance evaluation:

The following equations were used for the performance evaluation of shelling process according to (*Pradhan et al., 2010*).

$$P_U = \frac{M_U}{M_t} \times 100 \dots \dots (2), \quad P_{BS} = \frac{M_{BS}}{M_t} \times 100 \dots \dots (3),$$

$$P_{IS} = \frac{M_{IS}}{M_t} \times 100 \dots \dots (4), \quad P_{ShD} = \frac{M_{ShD}}{M_t} \times 100 \dots \dots (5), \text{ and}$$

$$\eta_{Sh} = \left(1 - \frac{M_U}{M_t}\right) \times 100 \dots \dots (6).$$

Where; P_U : is the %-age of unshelled fruits (%), M_U : mass of unshelled fruits (g), M_t : total mass of input fruits (g), P_{BS} : %-age of broken seeds (%), M_{BS} : mass of broken seeds (g), P_{IS} : %-age of intact seeds (%), M_{IS} : mass of intact seeds (g), P_{ShD} : %-age of shells with dust (%), M_{ShD} : mass of shells with dust (g) and η_{Sh} : shelling efficiency (%).

- Shelling capacity (Productivity):

The shelling capacity (Q ; “kg/h”) was calculated according to the following equation:

$$Q = \frac{(M_t/1000)}{T} \dots \dots (7).$$

Where; T : is the time required to shell the sample (h).

- Power and specific energy requirement:

The power requirement of shelling process (P ; “W”) was calculated using the following equation:

$$P = I \times V \times \cos \phi \times \eta_m \dots \dots (8).$$

Where; P : is the total power requirement with load (W), I : current consumed with load (Amperes), V : voltage difference (Volts), $\cos \phi$: power factor assumed 0.80, ϕ : phase angle between current and voltage and η_m : mechanical efficiency of motor assumed 85%.

The specific energy requirement (E_S ; “W.h/kg”) was calculated by using the following equation:

$$E_S = \frac{P}{Q} \dots \dots (9).$$

- The obtained results were statistically analyzed using spread sheet software program: Microsoft Excel and SPSS, V. "23".

3. RESULTS AND DISCUSSIONS

All experiments of the shelling for *Jatropha curcas* fruits (JCFs) were carried out under the average moisture content of 11.45 ± 1.56 , 8.48 ± 0.41 and $13.89 \pm 0.78\%$ d.b. for whole fruits, seeds and shells,

resp. The moisture content of used fruits for shelling process is similar to (Ting et al., 2012). They reported that the optimal moisture content for shelling of *Jatropha* fruits was 9.5% w.b., this value is close to the moisture content of used fruits in this study of 10.26% w.b. (11.45% d.b.).

Effect of speed and clearance on performance indicators

The shelling mixing of JCFs (Fig. 3) was separated manually to determine all %-ages of fruits parts as shown in Fig. 4. Table 1 illustrates the average %-ages of *Jatropha curcas* fruits (JCFs) parts after shelling process at tested five speeds [200 (2.094), 300 (3.142), 400 (4.189), 500 (5.236) and 600 rpm (6.283m/s)]. For each speed (S) five clearances (C) were: 12, 13, 14, 15 and 16 mm.



Fig. 3: Final Output after shelling process using the developed machine.



(A): Unshelled fruits "unshelled whole fruits and partially shelled ", (B): Broken seeds, (C): Intact seeds and (D): Shells with dust.

Fig. 4: Parts of JCFs sample after mechanical shelling and manual separating.

Table 1: The percentages of JCFs parts after shelling process at tested clearances and speeds (mean value \pm standard deviation).

S, (rpm)	C, (mm)	P _U , (%)	P _{BS} , (%)	P _{IS} , (%)	P _{ShD} , (%)
200	12	13.70 \pm 2.21	0.64 \pm 0.41	51.11 \pm 1.29	33.71 \pm 1.27
	13	21.05 \pm 1.15	0.36 \pm 0.29	48.00 \pm 1.56	29.72 \pm 0.38
	14	26.11 \pm 2.96	0.09 \pm 0.10	46.58 \pm 1.73	26.42 \pm 1.23
	15	35.93 \pm 3.81	0.16 \pm 0.13	40.38 \pm 2.49	22.64 \pm 1.53
	16	55.85 \pm 0.80	0.09 \pm 0.16	29.04 \pm 1.01	14.09 \pm 0.23
300	12	9.06 \pm 1.22	0.33 \pm 0.04	54.54 \pm 0.06	35.44 \pm 1.24
	13	13.68 \pm 1.73	0.26 \pm 0.15	52.05 \pm 0.89	33.13 \pm 0.77
	14	19.47 \pm 1.30	0.01 \pm 0.02	49.89 \pm 0.62	29.74 \pm 1.27
	15	26.19 \pm 4.86	0.14 \pm 0.14	46.20 \pm 2.30	26.70 \pm 2.55
	16	37.68 \pm 2.58	0.00 \pm 0.00	40.21 \pm 1.86	21.33 \pm 0.65
400	12	5.06 \pm 1.73	0.64 \pm 0.59	55.86 \pm 1.12	37.80 \pm 0.96
	13	10.83 \pm 2.60	0.42 \pm 0.34	53.81 \pm 1.57	34.10 \pm 0.78
	14	13.96 \pm 3.56	0.19 \pm 0.18	52.78 \pm 2.61	32.50 \pm 1.35
	15	17.35 \pm 1.21	0.00 \pm 0.00	51.64 \pm 0.22	30.02 \pm 0.69
	16	32.48 \pm 3.67	0.00 \pm 0.00	42.54 \pm 2.64	24.16 \pm 1.20
500	12	3.46 \pm 2.04	0.58 \pm 0.53	56.46 \pm 0.39	38.51 \pm 1.35
	13	5.59 \pm 0.46	0.30 \pm 0.27	56.48 \pm 0.20	36.80 \pm 0.26
	14	11.82 \pm 2.12	0.10 \pm 0.13	52.46 \pm 1.09	34.05 \pm 0.76
	15	18.02 \pm 3.15	0.00 \pm 0.00	49.58 \pm 1.51	31.58 \pm 1.70
	16	23.65 \pm 2.65	0.00 \pm 0.00	47.64 \pm 2.09	27.56 \pm 0.40
600	12	1.41 \pm 1.36	0.51 \pm 0.50	58.07 \pm 0.99	39.16 \pm 0.95
	13	4.12 \pm 0.28	0.19 \pm 0.22	56.40 \pm 1.05	38.34 \pm 0.77
	14	5.94 \pm 1.53	0.12 \pm 0.21	55.70 \pm 1.40	37.33 \pm 0.94
	15	9.65 \pm 2.05	0.00 \pm 0.00	54.14 \pm 1.68	35.34 \pm 0.72
	16	17.4 \pm 2.13	0.05 \pm 0.09	50.65 \pm 1.58	31.13 \pm 1.00

For the %-age of unshelled fruits: The results showed that the unshelled fruits decreased with increasing the speed and decreasing the clearance. The %-age of unshelled fruits decreased from 17.4 to 1.41% at speed of 600 rpm, 23.65 to 3.46% at speed of 500 rpm, 32.48 to 5.06% at speed of 400 rpm, 37.68 to 9.06% at speed of 300 rpm and 55.85 to 13.70% at speed of 200 rpm when decreasing the clearance from 16 to 12 mm as shown in Table 1. The Duncan Multiple-Range Test (DMRT) in Table 2 showed that the mean effect of speed on the %-age of unshelled fruits. The mean values of unshelled fruits decreased significantly (at 5% level "P < 0.05") from 30.53 to 7.71% with increasing the speed from 200 to 600 rpm. Also; Table 3 shows the result of Duncan's test for the mean

effect of clearance on the %-age of unshelled fruits. The mean values of unshelled fruits decreased significantly (at 5% level "P < 0.05") from 33.42 to 6.54% with decreasing the clearance from 16 to 12 mm.

Table 2: Duncan's test for the mean of effect of tested speeds on %-age of Jatropha fruits parts.

S, (rpm)	P _U , (%)	P _{BS} , (%)	P _{IS} , (%)	P _{SHD} , (%)
200	30.53 ^e	0.27 ^a	43.02 ^a	25.32 ^a
300	21.21 ^d	0.15 ^a	48.58 ^b	29.27 ^b
400	15.94 ^c	0.25 ^a	51.32 ^c	31.72 ^c
500	12.51 ^b	0.20 ^a	52.53 ^d	33.70 ^d
600	7.71 ^a	0.17 ^a	54.99 ^e	36.26 ^e

Table 3: Duncan's test for the mean of effect of tested clearances on %-age of Jatropha fruits parts.

C, (mm)	P _U , (%)	P _{BS} , (%)	P _{IS} , (%)	P _{SHD} , (%)
12	6.54 ^a	0.54 ^c	55.21 ^e	36.92 ^e
13	11.05 ^b	0.31 ^b	53.35 ^d	34.42 ^d
14	15.46 ^c	0.10 ^a	51.48 ^c	32.01 ^c
15	21.43 ^d	0.06 ^a	48.39 ^b	29.26 ^b
16	33.42 ^e	0.03 ^a	42.01 ^a	23.65 ^a

For the %-age of broken seeds: Generally; the broken seeds increased with decreasing the clearance for all the speeds. Duncan's test in Table 2 showed that the mean effect of speed on the %-age of broken seeds. The mean values of broken seeds were not significantly affected (at 5% level "P > 0.05"). Also; Table 3 shows the result of Duncan's test for the mean effect of clearance on the %-age of broken seeds. The mean values of broken seeds increased with decreasing the clearance but; the mean values of broken seeds increased significantly from 0.10 to 0.54% with decreasing the clearance from 14 to 12 mm. *Pradhan et al. (2010)* mentioned that the %-age of broken seeds was $2.11 \pm 1.56\%$ at moisture content of 7.97% (d.b.) for mechanical shelling of Jatropha fruits. Whereas the mean highest value of %-age of broken seeds was 0.54% and equal 1.35g from mass used of sample (250g) in shelling process. This mass (1.35g) is about of 2 to 3 seeds. Also; the values of %-age of broken seeds in Table 1 are small for used sample mass and not exceed of 1% so; don't take in consideration, in addition; must be investigate of effect of sample mass on the %-age of broken seeds and shelling efficiency.

For the %-age of intact seeds: The obtained results indicated that the intact seeds increased with decreasing the tested clearance and increasing the speed. The %-age of intact seeds increased from 29.04 to 51.11% at speed of 200 rpm, from 40.21 to 54.54% at speed of 300 rpm, from 42.54 to 55.86% at speed of 400 rpm, from 47.64 to 56.46% at speed of 500 rpm, and from 50.65 to 58.07% at speed of 600 rpm when decreasing the clearance from 16 to 12 mm as shown in Table 1. Duncan's test as shown in Table 2 showed that the mean effect of speed on the %-age of intact seeds. The mean values of intact seeds increased significantly (at 5% level " $P < 0.05$ ") from 43.02 to 54.99% with increasing the speed from 200 to 600 rpm. Also; Table 3 shows the result of Duncan's test for the mean effect of clearance on the %-age of intact seeds. The mean values of intact seeds increased significantly (at 5% level " $P < 0.05$ ") from 42.01 to 55.21% with decreasing the clearance from 16 to 12 mm.

For the %-age of shells with dust: The results showed that the %-age of shells with dust increased with decreasing the tested clearance and increasing the tested speed. The %-age of shells with dust increased from 14.09 to 33.71% at speed of 200 rpm, from 21.33 to 35.44% at speed of 300 rpm, from 24.16 to 37.80% at speed of 400 rpm, from 27.56 to 38.51% at speed of 500 rpm and from 31.13 to 39.16% at speed of 600 rpm when decreasing the clearance from 16 to 12 mm as shown in Table 1. Duncan's test in Table 2 showed that the mean effect of speed on the %-age of shells with dust. The mean values of shells with dust increased significantly (at 5% level " $P < 0.05$ ") from 25.32 to 36.26% with increasing the tested speed from 200 to 600 rpm. Also; Table 3 shows the result of Duncan's test for the mean effect of clearance on the %-age of shells with dust. The mean values of shells with dust increased significantly (at 5% level " $P < 0.05$ ") from 23.65 to 36.92% with decreasing the clearance from 16 to 12 mm.

For shelling efficiency: Fig. 5 shows the relationship between shelling efficiency (%) and rotational speed [200 (2.094), 300 (3.142), 400 (4.189), 500 (5.236) and 600 rpm (6.283m/s)] under five clearances [12, 13, 14, 15, and 16 mm]. Generally; the shelling efficiency of JCFs gradually increased with increasing the tested speeds and decreasing the clearances. From Table 4, the highest value of shelling efficiency was

98.59 ± 1.36% at speed of 600 rpm (6.283m/s) and clearance of 12 mm; whereas the lowest value of shelling efficiency was 44.15 ± 0.80% at speed of 200 rpm (2.094 m/s) and clearance of 16 mm.

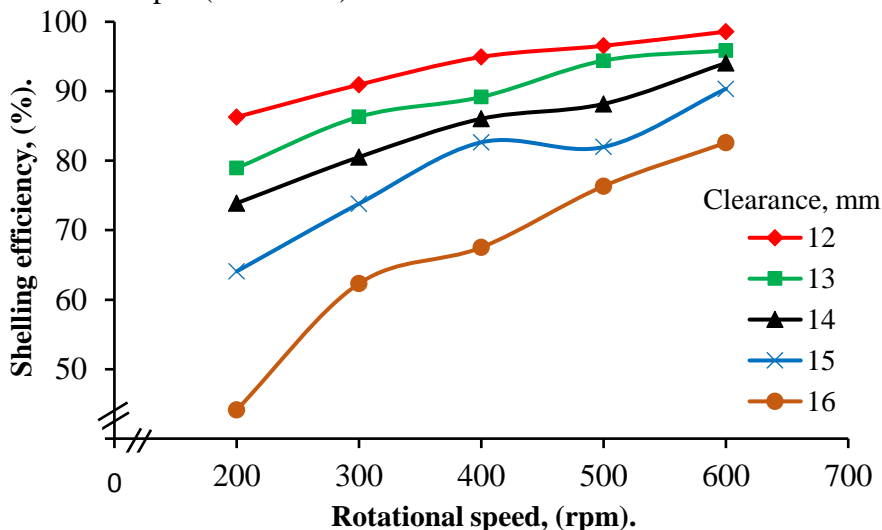


Fig. 5: Effect of the tested rotational speed on the shelling efficiency at different clearances.

Duncan's tests in Table 4 showed that the mean effect of speed on the shelling efficiency (%). The mean values of shelling efficiency increased significantly (at 5% level "P < 0.05") from 69.47 to 92.29% with increasing the speed from 200 to 600 rpm. Also; the result of Duncan's test showed that the mean effect of clearance on the shelling efficiency. The mean values of shelling efficiency increased significantly (at 5% level "P < 0.05") from 66.59 to 93.46% with decreasing the clearance from 16 to 12 mm.

Table 4: Values of shelling efficiency at tested speeds and clearances (mean value ± standard deviation) and result of Duncan's test.

S, (rpm)	<i>Shelling efficiency, (%)</i>					Mean
	C, (mm).					
	12	13	14	15	16	
200	86.30 ± 2.21	78.95 ± 1.15	73.89 ± 2.96	64.07 ± 3.81	44.15 ± 0.80	69.47^e
300	90.94 ± 1.22	86.32 ± 1.73	80.53 ± 1.30	73.81 ± 4.86	62.32 ± 2.58	78.78^d
400	94.94 ± 1.73	89.17 ± 2.60	86.04 ± 3.56	82.65 ± 1.21	67.52 ± 3.67	84.06^c
500	96.54 ± 2.04	94.41 ± 0.46	88.18 ± 2.12	81.98 ± 3.15	76.35 ± 2.65	87.49^b
600	98.59 ± 1.36	95.88 ± 0.28	94.06 ± 1.53	90.35 ± 2.05	82.59 ± 2.13	92.29^a
Mean	93.46^a	88.95^b	84.54^c	78.57^d	66.59^e	-----

Effect of sample mass of JCFs on performance indicators

The variable of sample mass was studied with batch system under optimal operation conditions for rotational speed of 600 rpm (6.283m/s) and clearance of 12 mm to investigate the effect of sample mass (250, 500, 750, 1000, 1250 and 1500 g) on shelling efficiency, %-age of broken seeds, %-age of intact seeds, %-age of unshelled fruits (unshelled whole fruits and partially shelled), %-age of shells with dust, productivity of machine, power consumption, specific energy requirement and level of noise emitted from machine.

For shelling efficiency under tested sample mass range: Duncan's test in Table 5 showed that the mean effect of sample mass on shelling efficiency (%). The mean values of shelling efficiency are not significantly (at 5% level " $P > 0.05$ ") when increasing the sample mass from 250 to 1000 g while; the mean values of shelling efficiency decreased significantly (at 5 % level " $P < 0.05$ ") from 95.90 to 93.89% with increasing the sample mass from 1000 to 1500 g as shown in Fig. 6. Therefore; the optimum value of the mass of sample is 1000 g for the feeding of shelling machine can achieve 95.90% shelling efficiency. At this value 1000g; the %-age of unshelled fruits, %-age of intact seeds and %-age of shells with dust were 4.10, 57.93 and 37.00, resp.

Table 5: Duncan's test for effect of tested masses on shelling efficiency, broken seeds, machine productivity and power consumption.

M_s, (g)	250	500	750	1000	1250	1500
η_{Sh}, (%)	96.60 ^c	95.56 ^{bc}	96.19 ^c	95.90 ^c	94.47 ^{ab}	93.89 ^a
P_{BS}, (%)	0.43 ^a	0.21 ^a	0.42 ^a	0.43 ^a	0.40 ^a	0.48 ^a
Q, (kg/h)	111.69 ^a	180.53 ^b	212.91 ^{cd}	226.08 ^d	197.17 ^{bc}	215.22 ^{cd}
P, (W)	666.18 ^a	687.65 ^{bc}	696.06 ^c	694.95 ^c	674.79 ^{ab}	670.23 ^a

For the %-age of broken seeds under tested sample mass range: Duncan's test in Table 5 showed that the mean effect of sample mass on the %-age of broken seeds. The mean values of broken seeds are not significantly affected (at 5% level " $P > 0.05$ ") and the %-age of broken seeds was 0.43% at mass of 1000g.

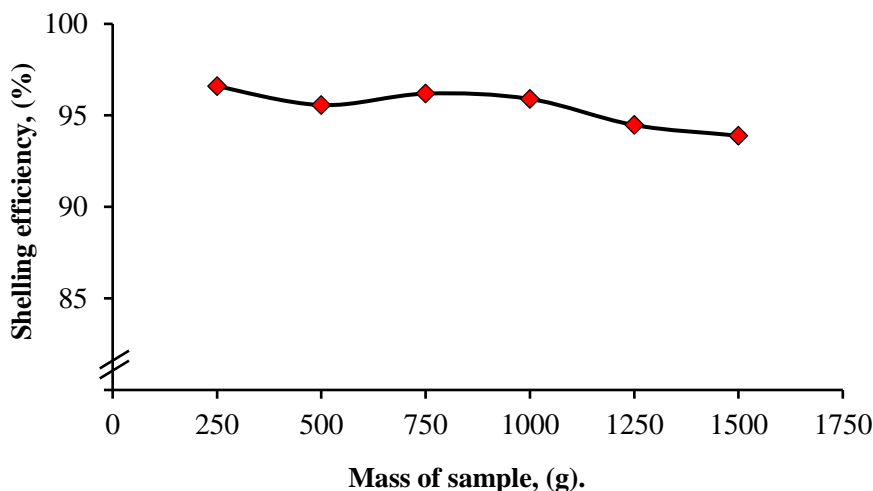


Fig. 6: Effect of tested sample mass on shelling efficiency at rotational speed of 600 rpm and clearance of 12 mm.

For productivity of machine: Fig. 7 shows the relationship between productivity of machine (kg/h) and sample mass used in shelling process under tested masses: 250, 500, 750, 1000, 1250 and 1500 g of JCFs. The productivity of machine was significantly different (at 5% level "P < 0.05") as shown in Table 5.

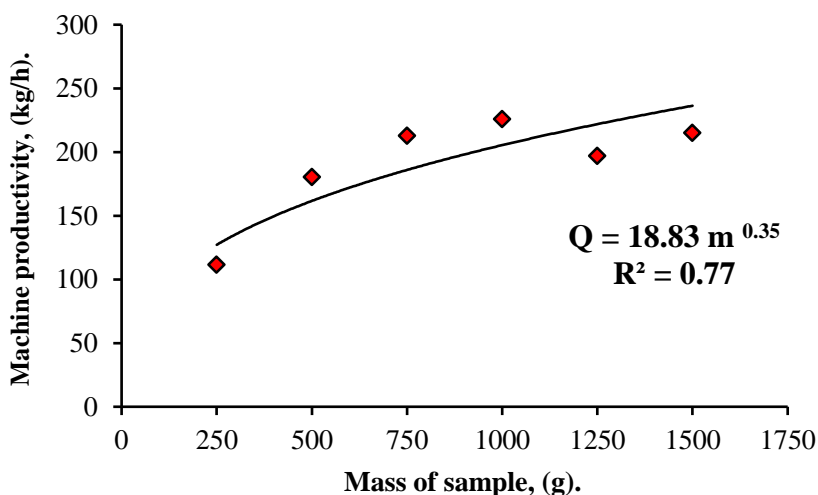


Fig. 7: Effect of sample mass on machine productivity at rotational speed of 600 rpm and clearance of 12 mm.

The productivity increased from 111.69 to 260.08 kg/h when increasing the sample mass from 250 to 1000 g, then dropped to 197.17 and 215.23 kg/h at sample mass of 1250 and 1500 g, resp. The relationship between

productivity of machine and mass of sample can be expressed as a power function by the following regression equation:

$$Q = 18.83 m^{0.35} \dots \dots \dots (R^2 = 0.77)$$

The highest value of machine productivity was 226.08 ± 7.22 kg/h at sample mass of 1000g. Meanwhile; the manual shelling of JCFs was carried three times using sample of 250 g. The results indicated that the productivity of manual shelling was 1.44 ± 0.20 kg/h.

For power and specific energy requirements: Duncan's test in Table 5 showed that the mean effect of sample mass on the power consumption (W). The mean values of power consumption increased significantly (at 5% level "P < 0.05") from 666.18 to 687.65W with increasing the sample mass from 250 to 500 g and not significantly (at 5 % level "P > 0.05") when increasing the sample mass from 500 to 1000g. Meanwhile; the mean values of power consumption decreased significantly (at 5% level "P < 0.05") from 694.95 to 670.23 W with increasing the sample mass from 1000 to 1500 g.

Fig. 8 shows the relationship between specific energy requirement (E_s , W.h/kg) and sample mass (g) used in shelling process under tested masses: 250, 500, 750, 1000, 1250 and 1500 g of JCFs. The lowest and highest values of specific energy requirement were 3.07 and 6.03 W.h/kg at sample mass of 1000 and 250 g, resp.

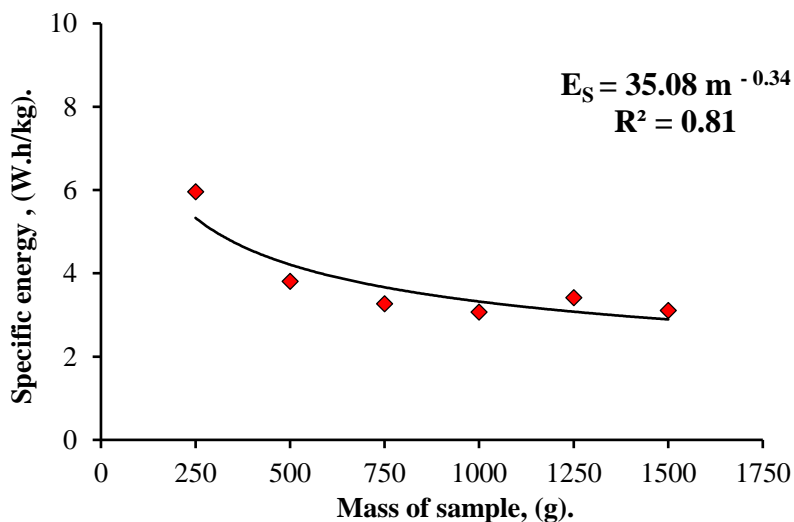


Fig. 8: Effect of sample mass on the specific energy requirement at rotational speed of 600 rpm and clearance of 12 mm.

The relationship between specific energy and mass of sample can be expressed as a power function by the following regression equation:

$$E_s = 35.08 m^{-0.34} \dots \dots \dots (R^2 = 0.81)$$

For level of emitted noise from shelling machine: The average levels of noise were 95.63 and 96.81 dB without load "before putting the fruits" and with load (during the shelling process), resp., as shown in Table 6. The level of noise was 97.2 dB at sample mass of 1000g under rotational speed of 600 rpm and clearance of 12 mm. This value of emitted noise level (97.2 dB) is like the obtained result by (Mislaini et al., 2015). They found that the average emitted noise level from corn sheller is 97.07dB. The obtained result for emitted noise from developed machine is high in comparison with the standard value (90 dB) at exposure period 8 h/day according to (EEL, 1994). So; the emitted noise from the developed machine should be reduced with the following methods: such as; insulation of power transmission parts (sprocket wheels and chains) and chamber of shelling, using an electric motor with a speed control (Inverter) to reduce the three power transmission stages to one, in addition to operating the shelling machine in open air and operator of machine can use hearing or ear protection. These processes may be reducing the noise level to the permissible limits to avoid the harmful effects for health of operator.

Table 6: Average values of emitted noise level from developed machine.

Mass of sample, (g)	Emitted noise, (dB)	
	With load	without load
250	97.00 ± 0.00	
500	97.07 ± 0.12	
750	96.93 ± 0.40	
1000	97.20 ± 0.72	
1250	96.67 ± 0.58	
1500	96.00 ± 0.00	
Average	96.81 ± 0.54	95.63 ± 0.49

4. CONCLUSION AND RECOMMENDATIONS

- The obtained results were summarized as follows:
- The suggested design of the prototype achieved high efficiency in shelling of JCFs. Under the tested speed range [200 (2.094) to 600 rpm (6.283m/s)] and the tested clearance range [12 to 16 mm], the shelling

efficiency of JCFs gradually increased with increasing the tested speeds and decreasing the clearances. The speed of 600 rpm is optimal for the shelling efficiency at clearance of 12 mm.

- Under the tested sample mass range [250 to 1500 g], the mass sample of 1000 g is optimal for shelling efficiency and productivity of machine, whereas; the mean values of %-age of broken seeds was not significant under the tested sample mass range.
- Also; the results revealed that the highest value of machine productivity was 226.08 kg/h. Meanwhile; the average shelling efficiency, %-age of broken seeds, unshelled fruits and intact seeds were 95.90, 0.43, 4.10 and 57.93%, resp. Further; the mean values of power consumption and specific energy requirement were 694.95 W and 3.07 W.h/kg, resp. In addition, the level of emitted noise from developed machine was 97.2 dB and should be reduced to the permissible limits (90 dB) at exposure period of 8 h/day.
- Performance evaluating of the suggested shelling/cracking machine in the future for shelling of agricultural products such as: Jatropha seeds, Sunflower seeds, Peanut pods, Caster fruits...etc. In addition, investigation of possibility cracking of fruits pits for extracting the kernels such as: Peach, Apricot, Plum, Walnuts, Almonds, Hazelnuts... etc.
- In case of specialization; It is possible dividing the constant conical part in shelling/cracking chamber into three parts or more; to fit with the size of fruits or seeds (small, medium and large) which need to shelling or cracking process for reducing the cost of machine manufacturing.
- Possibility investigation of developing the suggested shelling/cracking machine with addition a blower air and vibrating sieves for separating process. Further; improvement of power transmission using electric motor with a speed control (Inverter).

5. REFERENCES

- Cramer, J. (2010).*** The Jatropha handbook from cultivation to application. (Netherlands): (<http://www.slideshare.net/QZ1/w1y47>).
- EEL, (1994).*** Egyptian Environmental Law - Number "4".
- Kheiralla, A. F.; E. H. Tola; A. N. Korsha and A. Y. Eltigani (2015).*** Development and evaluation of a Jatropha seeds shelling machine

- for biofuel production. (Sudan); *Am.-Eurasian J. Agric. & Environ. Sci.*, 15 (4): 630 – 639.
- Kheiralla, A.; E. Tola; A. Korsha and A. Eltigani (2016).*** Development and evaluation of a Jatropha husking machine. (Sudan); *ARNP “J. of Ag. and Bio. Sci.*, 11 (3): 88 – 99.
- Krishnan, P. R. and M. Paramathma (2009).*** Potentials and Jatropha species wealth of India, *Current Science*, 97(7): 1000-1004.
- Kumar, A. and S. Sharma (2008).*** An evaluation of multipurpose oil seed crop for industrial uses (*Jatropha curcas* L.): A review. (India); *Industrial Crops and Products*, 28 (1): 1 - 10.
- Lim, B. Y.; R. Shamsudin and R. Yunus (2014).*** Development and testing of a Jatropha fruit shelling process for shell-free kernel recovery in biodiesel production. (Malaysia); *Biosys. Eng.*, 121: 46 - 55.
- Mislaini, Santosa and Widyawati (2015).*** Study of techno-economic of corn sheller type MPJ-01-TEP-2014 design of study program *Agric. Eng. Univ. Andalas. (Indonesia); I.J.A.S.E.I.T.*, 5 (1): 23 – 26.
- Mousa, A. M. (2015).*** Engineering factors affecting production of biodiesel from used vegetable oil using a simple unit. PhD. Thesis, *Fac. of Agric., Al-Azhar Univ., Cairo, (Egypt).* PP: 1.
- Mousa, A. M.; N. S. Elkaoud and S. H. Dosoky (2016).*** Physical, mechanical and aerodynamic properties of Jatropha seeds. (Egypt) - *Misr J. Ag. Eng.*, 33(4): 1477 - 1496.
- Pradhan, R. C.; S. N. Naik; N. Bhatnagar and V. K. Vijay (2010).*** Design, development and testing of hand-operated decorticator for Jatropha fruit. (India); *App. En.*, 87: 762 – 768.
- Salawu, A. T.; M. L. Suleiman and M. Isiaka (2013).*** Physical properties of Jatropha curcas seed. (Nigeria); *EJPAU “Agr. Eng.”*; 16 (4), # 07. - <http://www.ejpau.media.pl/volume16/issue4/art-07.html>
- Ting, R. P.; E. V. Casas; E. K. Peralta and J. C. Elauria (2012).*** Design, fabrication and optimization of Jatropha sheller. (Philippines); *I.J.O.C.: Theories & Applications*, 2 (2): 113-127.
- Werby, R. A. and A. M. Mousa (2016).*** Some physical and mechanical properties of Jatropha fruits. (Egypt); *Misr J. Ag. Eng.*, 33 (2): 475 – 490.

المخلص العربي

تطوير وتقييم آلة تقشير/تكسير بعض المنتجات الزراعية - (تقشير ثمار الجاتروفا) -

أحمد مصطفى موسى*

تهدف هذه الدراسة إلى تطوير آلة تقشير أو تكسير تصلح لبعض المنتجات الزراعية، كما تم تقييم أداء عملية تقشير ثمار الجاتروفا الجافة (كأحد الثمار المختارة) المنزرعة في مصر باستخدام الآلة المطورة و جميع تجارب تقشير ثمار الجاتروفا تمت عند محتوى رطوبي ١١,٤٥٪ على أساس الوزن الجاف - تم تصنيع الآلة وإجراء التجارب بكلية الهندسة الزراعية بالقاهرة - جامعة الأزهر.

- و تم دراسة المتغيرات التالية:

- (١) السرعة الدورانية لدرفيل التقشير : من ٢٠٠ (٢,٠٩٤) إلى ٦٠٠ لفة/د (٦,٢٨٣ م/ث).
- (٢) الخلوص : من ١٢ إلى ١٦ مم.
- (٣) كتلة العينة : من ٢٥٠ إلى ١٥٠٠ جرام.

و كانت النتائج المتحصل عليها كالتالي:

١. حقق النموذج الأولي للآلة المقترحة كفاءة عالية في تقشير ثمار الجاتروفا.
٢. تحت مدى السرعة المختبر [٢٠٠ - ٦٠٠ لفة/دقيقة] والخلوص المختبر [١٢ - ١٦م] زادت كفاءة التقشير تدريجياً بزيادة السرعة الدورانية وانخفاض الخلوص ، وكانت سرعة التقشير الأمثل ٦٠٠ لفة/دقيقة عند خلوص ١٢ مم.
٣. أظهرت النتائج أن كتلة عينة ثمار الجاتروفا (١٠٠٠ جرام) هي الأمثل لكفاءة التقشير وإنتاجية الآلة ، وأنه لا يوجد فرق معنوي في نسبة البذور المكسورة تحت مدى كتلة العينة المختبر [٢٥٠ - ١٥٠٠ جرام].
٤. كما بينت النتائج أن أعلى قيمة لإنتاجية الآلة كانت ٢٢٦,٠٨ كج/ساعة عند كفاءة تقشير ٩٥,٩٠٪ ونسبة البذور المكسورة كانت ٠,٤٣٪ و الثمار غير مقشرة (كلياً وجزئياً) كانت ٤,١٠٪ و البذور السليمة كانت ٥٧,٩٣٪ و القشر بالغبار كان ٣٧٪ عندما كانت سرعة درفيل التقشير ٦٠٠ لفة/دقيقة وخلوص ١٢ مم، في حين أن القدرة المستهلكة والطاقة النوعية المطلوبة كانت ٦٩٤,٩٥ وات و ٣,٠٧ وات/كج على التوالي. و كان مستوى الضوضاء المنبعث من الآلة أثناء عملية تقشير ثمار الجاتروفا ٩٧,٢ ديسيبل و ينبغي خفضه للحدود المسموح بها (٩٠ ديسيبل) عند فترة تعرض مقدارها ٨ ساعات عمل/يوم.

*مدرس: قسم هندسة الآلات والقوى الزراعية - كلية الهندسة الزراعية - جامعة الأزهر - القاهرة - مصر.